

HC-D 15-TFL-66/M1PG16S

Order No.: 1772337

<http://eshop.phoenixcontact.de/phoenix/treeViewClick.do?UID=1772337>

Sleeve housing, for single locking latch, height 66 mm, with screw connection, 1x Pg16, lateral cable entry

Commercial data	
EAN	4017918037000
Pack	10 Pcs.
Customs tariff	76169910
Weight/Piece	0.18094 KG
Catalog page information	Page 424 (PC-2007)

Product notes

WEEE/RoHS-compliant since:
02/17/2006



<http://www.download.phoenixcontact.com>
Please note that the data given here has been taken from the online catalog. For comprehensive information and data, please refer to the user documentation. The General Terms and Conditions of Use apply to Internet downloads.

Technical data

General data	
Note	For contact inserts HC-D15, A10
Design	D15
Height	66 mm
Width	36 mm

Length	63 mm
Housing type	Sleeve housings
Locking type	for single locking latch
Type of the screw connection	1x Pg16
Pg screw connection	With
Wrench size, union nut	22 mm
Cable exit	Lateral
External cable diameter	7.5 mm ... 15 mm
Degree of protection	IP65
Ambient temperature (operation)	-40 °C ... 125 °C
Housing material	Aluminum, die-cast
Housing surface material	Powder-coated, gray
Seal material	NBR
Screw connection material	Nickel-plated brass
Cable seal material	NBR

Certificates / Approvals

Approval logo

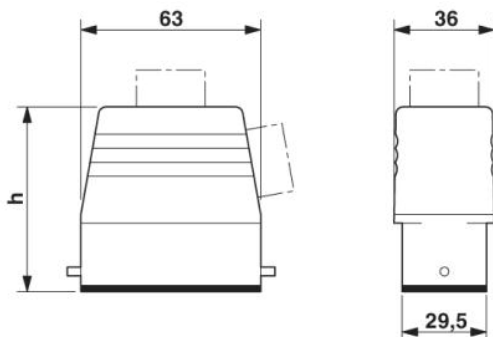


requested approbations

Certification	GOST
---------------	------

Drawings

Dimensioned drawing



Address

PHOENIX CONTACT GmbH & Co. KG
Flachsmarktstr. 8
32825 Blomberg, Germany
Phone +49 5235 3 00
Fax +49 5235 3 41200
<http://www.phoenixcontact.com>



© 2008 Phoenix Contact
Technical modifications reserved;